

# HDx2 MARK II

Item No: 190902400500

The HDx2 Mark II is an optical converter that enables B4 mount 2/3" HD video lenses to work with single sensor cameras. The Mark II system has improved lens coatings to reduce IR contamination.

The HDx2 Mark II adapts from B4 to a Universal Mount System. Available mount options include ARRI PL, Canon EF, Nikon F, Sony E, Sony FZ and Micro 4/3.

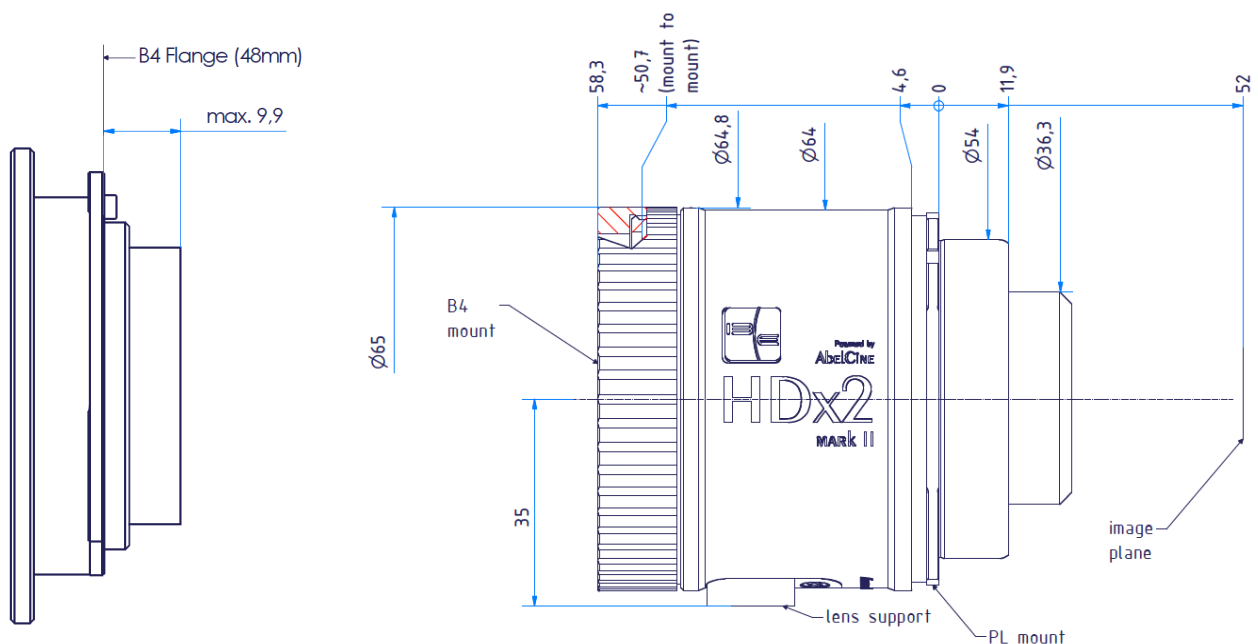
All HD converters are optically corrected for the different spectral alignments between three-chip prism block sensors which the B4 mount lenses were designed for and the single-chip sensors of the new cameras. HD converters are highly telecentric in design and deliver a bright, sharp image across the entire frame with excellent color and contrast.



## Technical data

Max. image diameter (mm)	25.5
Magnification	x2.2
Max. input T-Stop	1.9
Light drop (stops)	2.2
Lens Mount	B4 2/3"

Camera Mount	PL UMS Mount
Diameter (mm)	65.0
Length (mm) B4 to PL	50.7
Weight (kg)	0.5



III. 1: max. measurements of input lens

III. 2: dimensional drawing

