

# PLx2 VV

Item No: 193000155500

The PLx2 VV optical extender doubles the focal length of Vista Vision Format PL mount lenses. The extender is the sequel to our successful PLx2 adapter. Thanks to its compact optical and mechanical design, the PLx2 VV is compatible with a wide range of lenses.

The PLx2 VV features high-index, low-dispersion glass to ensure the highest possible resolution and contrast with minimal optical degradation. In doubling the image size, the transmitted light is spread over 4 times the area, decreasing the brightness by two f-stops. To create an optical design that is optimized for modern lenses and digital cameras, the maximum input T-Stop is 1.9.

The PLx2 VV is designed to mount to any digital cinema camera with a native PL mount. The UMS Mount System makes it easy to change the mount to Canon EF, Sony E or others without re-shimming.

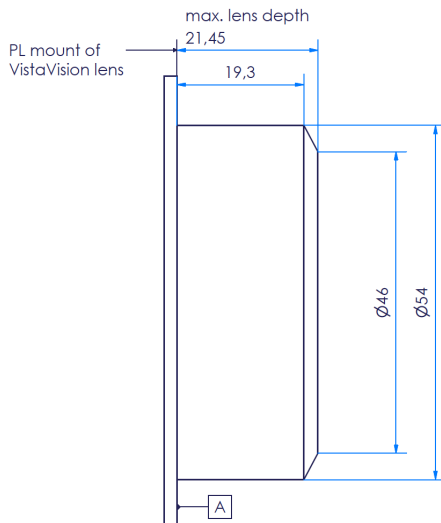


## Technical data

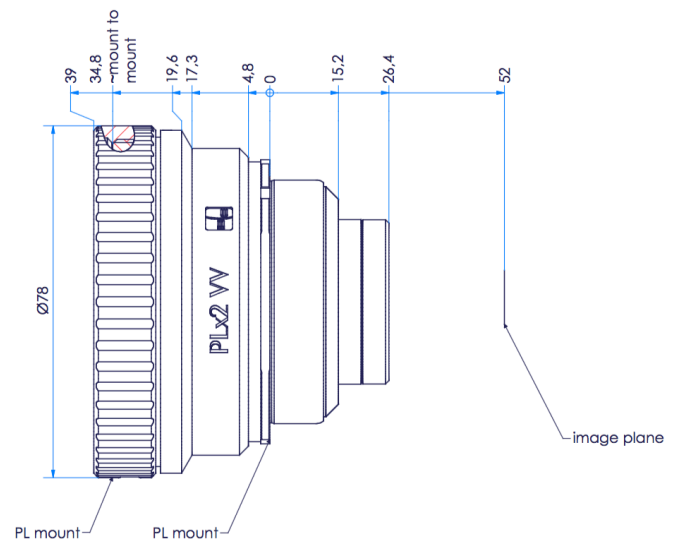
|                                 |                    |
|---------------------------------|--------------------|
| <b>Max. Image Diameter (mm)</b> | <b>46.4</b>        |
| <b>Magnification</b>            | <b>x2</b>          |
| <b>Max. Input T-Stop</b>        | <b>1.9</b>         |
| <b>Light Drop (Stops)</b>       | <b>2.0</b>         |
| <b>Lens Mount</b>               | <b>PL Standard</b> |

|                             |                      |
|-----------------------------|----------------------|
| <b>Camera Mount</b>         | <b>PL UMS Mount*</b> |
| <b>Diameter (mm)</b>        | <b>78.0</b>          |
| <b>Length (mm) PL to PL</b> | <b>34.8</b>          |
| <b>Weight (kg)</b>          | <b>0.5</b>           |

\* without F and MFT Mount and E Mount including inner ring



ill. 1: max. measurements of input lens



ill. 2: dimensional drawing

