

VELOCITER x0.8

Item No: 193000146200

The Velociter x0.8 optical converter reduces the focal length of the RAPTOR macro lenses by 0.8x. At the same time it increases the lens speed by almost 1 stop. For example, the RAPTOR 100 mm T2.9 becomes a 80 mm T2.3.

The Velociter x0.8 features high-index, low-dispersion glass as well as multi layer coating to ensure the highest possible resolution and contrast with minimal optical degradation. To create an optical design that is optimized for the RAPTOR macro lens family and digital cameras, the maximum input T-Stop is 2.9.

The Velociter x0.8 can easily be assembled in exchange of the extension tube of the PL UMS mount.

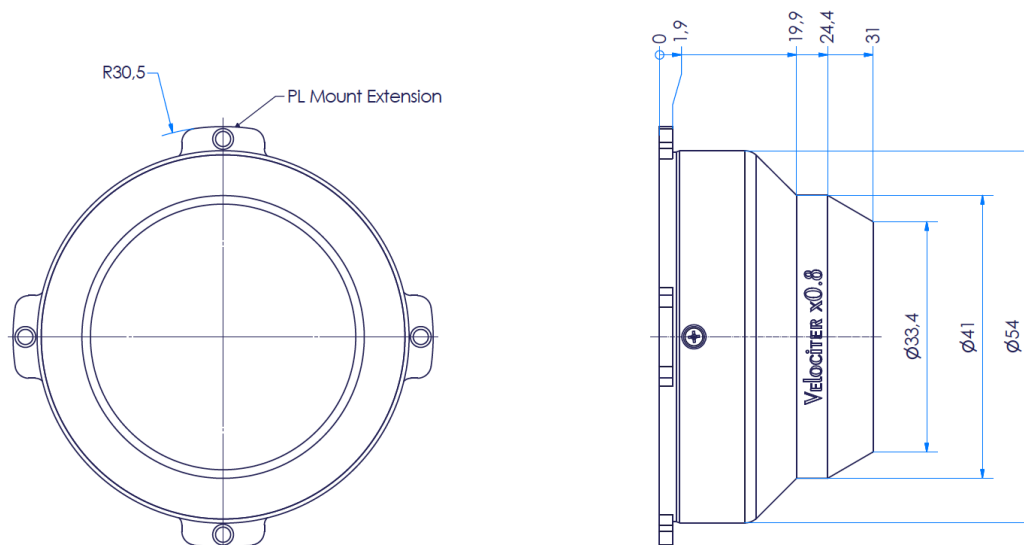
Note: With the Velociter connected to the lens, only PL cameras can be used!



Technical data

Max. image diameter (mm)	36.0
Magnification	x0.8
Max. input T-Stop	2.9
Light drop (stops)	1.0

Diameter (mm)	54.0
Length (mm)	31.0
Weight (kg)	0.18



///.: dimensional drawing

